

# Datasheet PRDWRS/PRDWWS

RFID Wedge transponder, LF 134kHz, HDX, Read Only/Read Write  
ISO 11785 Read Only Industrial Number format

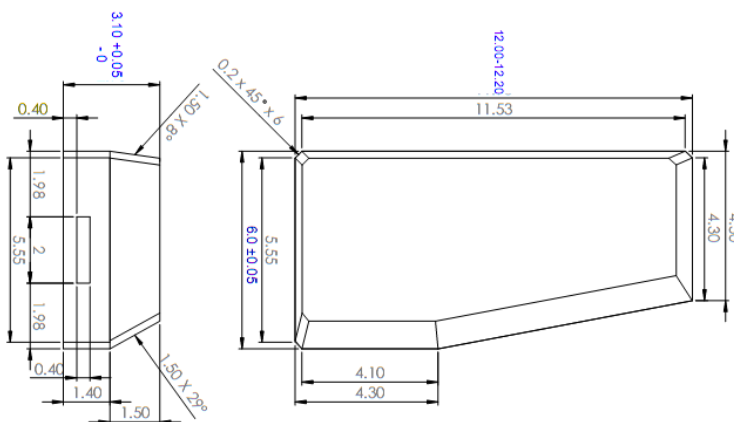
## Characteristics

(at ambient temperature unless noted otherwise)

	PRDWRS	PRDWWS
<b>Physical</b>		
Dimensions	12.0mm ± 0.2mm x 6.0mm ± 0.05mm x 3.1mm ± 0.05mm	
Material	Polypropylene (PP)	
Color	Black, without marking	
Weight	0.27g	
<b>Electrical</b>		
Operating Frequency	134.2kHz	
Memory	64bits (Read Only)	80bits (Read Write)
Transmission Principle	Half Duplex (HDX), Downlink ASK, Uplink FSK	
Write Cycles	--	100,000
Memory Retention	> 20years	
EMC	Memory is not affected by normal electromagnetic interference or x-rays	
<b>Thermal</b>		
Operating Temperature	-25°C to +85 °C	
Storage Temperature	-25°C to +85 °C	

## Drawing

(Dimensions in mm)



Protagd LLC reserves the right to make corrections, enhancements, improvements and other changes to its products. All products are sold subject to Protagd's terms and conditions of sale supplied at the time of order acknowledgment.